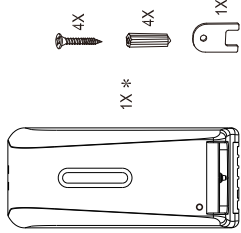


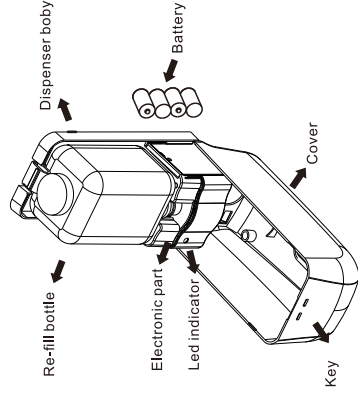
INFRARED SENSOR DISPENSER INSTRUCTION

K-GV012 1000ML

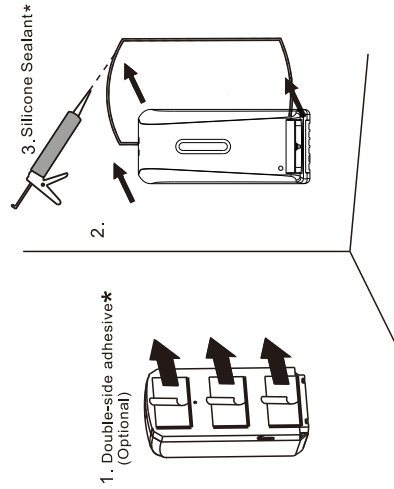


*We have different models but with same installation.

A Packing List

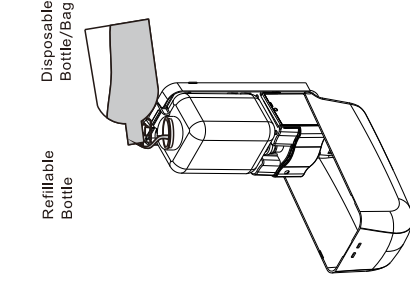


B Part Name

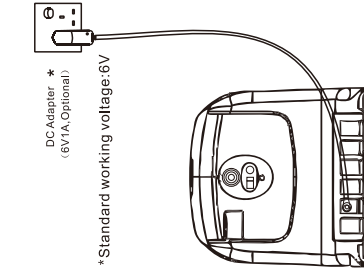


* The standard packing does not include Double-side adhesive and Silicone sealant

E Installation with Adhesive Backing (no screws)

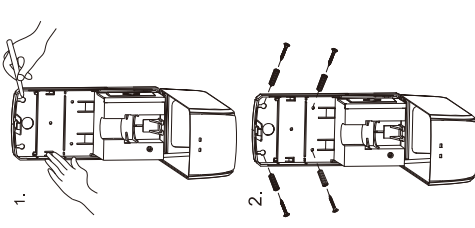


F Fill Liquid

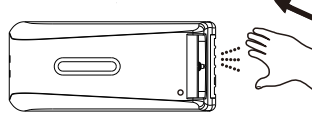


* The standard packing does not include DC Adapter and Batteries

G Working with Batteries/DC Adapter



D Installation with Screws



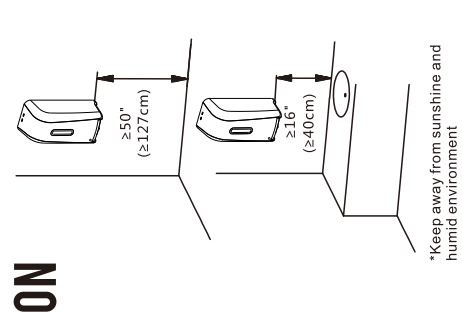
H Enjoy hand sanitizing

• UV disinfection

• LED Light:

1. green color 5 seconds flush; working condition;
2. red color 5 seconds flush; low power for battery need to change it;
3. red color 2 seconds flush; something under sensor and remove it;

• Sensing Distance: 2-8cm

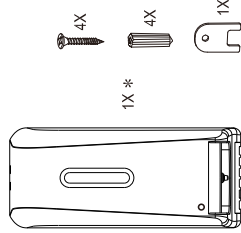


*Keep away from sunshine and humid environment

C Height from Floor/Table

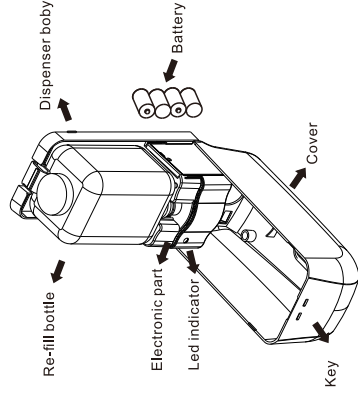
INFRARED SENSOR DISPENSER INSTRUCTION

K-GV012 1000ML

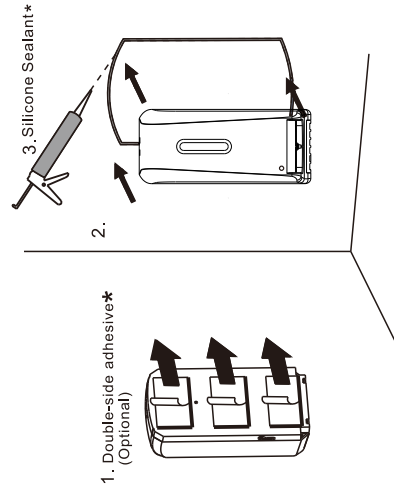


*We have different models but with same installation.

A Packing List

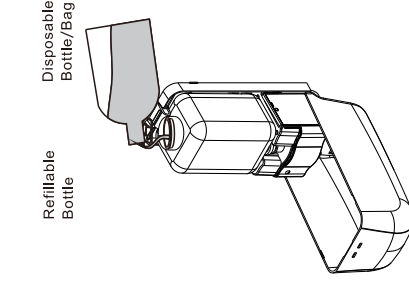


B Part Name

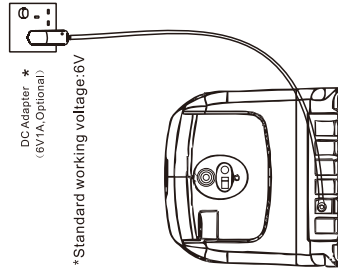


* The standard packing does not include Double-side adhesive and Silicone sealant

E Installation with Adhesive Backing (no screws)

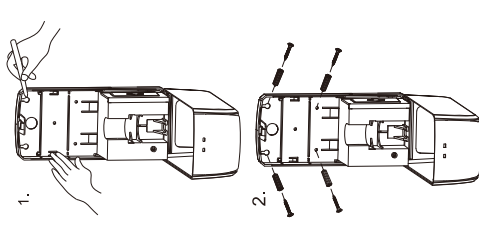


F Fill Liquid

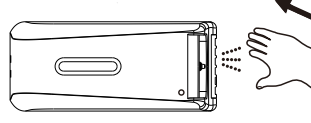


* The standard packing does not include DC Adapter and Batteries

G Working with Batteries/DC Adapter



D Installation with Screws



H Enjoy hand sanitizing

• UV disinfection

• LED Light:

1. green color 5 seconds flush; working condition;
2. red color 5 seconds flush; low power for battery need to change it;
3. red color 2 seconds flush; something under sensor and remove it;

• Sensing Distance: 2-8cm